

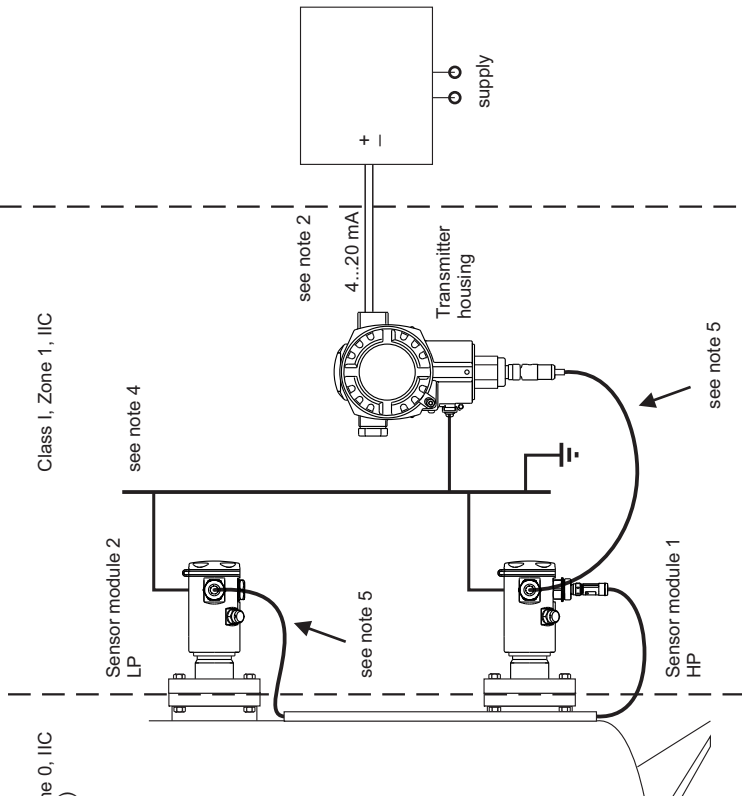
Non hazardous location

Hazardous location

Class I, Div. 1, Groups A, B, C, D

Class I, Zone 0, IIC
(see note 6)

Class I, Zone 1, IIC



XP-AIS for Cl. I, Div. 1, Groups A, B, C, D; Class I, Zone 0 and Zone 1, IIC
AEx[Ex db [ia] IIC T6

Hazardous Location Installation

1. Install per National Electrical Code (ANSI/NFPA70) or Canadian Electrical Code, Part I as applicable
 - max. supply voltage 45 VDC
 - max. ambient temperature: see table
2. Explosionproof conduit seals must be installed within 18 inches of the transmitter housing.
3. Warning: Explosion hazard - Do not connect or disconnect when circuit is energized except area is known to be non hazardous!
4. Transmitter housing and sensor modules must have the same ground potential (e.g. transmitter housing and sensor modules all mounted to the same metal structure). If potential equalisation can not be achieved by the installation, the devices must be interconnected with a suitable bonding conductor using the external ground connections.
5. Transmitter provides Intrinsically Safe (type of protection 'ia') circuits for connection to and between HP Sensor module 1 and LP Sensor module 2.
6. For Zone classified areas, transmitter housing must be installed in a Class I, Zone 1 hazardous location. The intrinsically safe sensor modules can be installed in a Class I, Zone 0 (process side) or Zone 1 hazardous location.
7. Sensor modules may only be connected to the transmitter and interconnected to each other. Any further connections are not allowed.

The devices are FM-approved as Single Seal per ANSI/ISA 12.27.01 as tabulated below; therefore installation of external secondary seals is not required.

Single Seal	Model	Limited to:	
		MWP*	Process temperature**
	FMD71	40 bar (580 psi)	-40 °C...+125 °C

* Limitations of the Maximum Working Pressure (MWP) are marked on the nameplate and must be considered!

** Limitations of the process temperature range depending on the used version are specified in the applicable technical information of the manufacturer and must be considered!

Table: Permissible ambient temperature and temperature code

Temperature code	Permissible ambient temperature, electronic compartment
T6	-40 °C...40 °C
T4	-40 °C...70 °C
T3	-40 °C...70 °C (for high temperature version)

